

KA-MT Small Flow Heatless Adsorption Dryers

Dryer Performance

Dryer Models	Dewpoint (Standard)		ISO8573-1:2010 Classification (Standard)	Dewpoint (Option 1)		ISO8573-1:2010 Classification (Option 1)	Dewpoint (Option 2)		ISO8573-1:2010 Classification (Option 2)
	°C	°F		°C	°F		°C	°F	
KA-MT 1 - 8	-40	-40	Class 2.2.1	-70	-100	Class 2.1.1	-25	-13	Class 2.3.1

Technical Data

Dryer Models	Minimum Operating Pressure		Maximum Operating Pressure		Minimum Operating Temperature		Maximum Operating Temperature		Maximum Ambient Temperature		Electrical Supply (Standard)	Electrical Supply (Optional)	Thread Type	Noise Level dB(A)
	bar g	psi g	bar g	psi g	°C	°F	°C	°F	°C	°F				
KA-MT 1 - 8	4	58	16	232	5	41	50	122	50	122	230V 1ph 50/60Hz	115V 1ph 50/60Hz or 24V DC	BSPP	65-86

Flow Rates

Model	Pipe Size BSPP	Inlet Flow Rate			
		L/s	m³/min	m³/hr	cfm
KA-MT 1	1/4	2	0.13	8	5
KA-MT 2	1/4	4	0.25	15	9
KA-MT 3	1/4	7	0.42	25	15
KA-MT 4	1/4	10	0.58	35	21
KA-MT 6	1/2	16	0.93	56	33
KA-MT 7	1/2	20	1.2	72	42
KA-MT 8	3/4	24	1.43	86	51

Inlet flow rate relating to 1 bar(a) and 20 °C; relating to the suction performance of the compressor, compression at 7 bar(g) and 35 °C dryer inlet temperature, at 25 °C ambient temperature, 60 % relative humidity.

Product Selection & Correction Factors

For correct operation, compressed air dryers must be sized using for the maximum (summer) inlet temperature, maximum (summer) ambient temperature, minimum inlet pressure, required outlet dewpoint and maximum flow rate of the installation.

To select a dryer, first calculate the MDC (Minimum Drying Capacity) using the formula below then select a dryer from the flow rate table above with a flow rate equal to or above the MDC.

$$\text{Minimum Drying Capacity} = \text{System Flow} \times \text{CFIT} \times \text{CFAT} \times \text{CFMIP} \times \text{CFOD}$$

CFIT - Correction Factor Maximum Inlet Temperature

Maximum Inlet Temperature	°C	25	30	35	40	45	50
	°F	77	86	95	104	113	122
Correction Factor		0.94	0.95	1.00	1.15	1.22	1.28

CFAT - Correction Factor Maximum Ambient Temperature

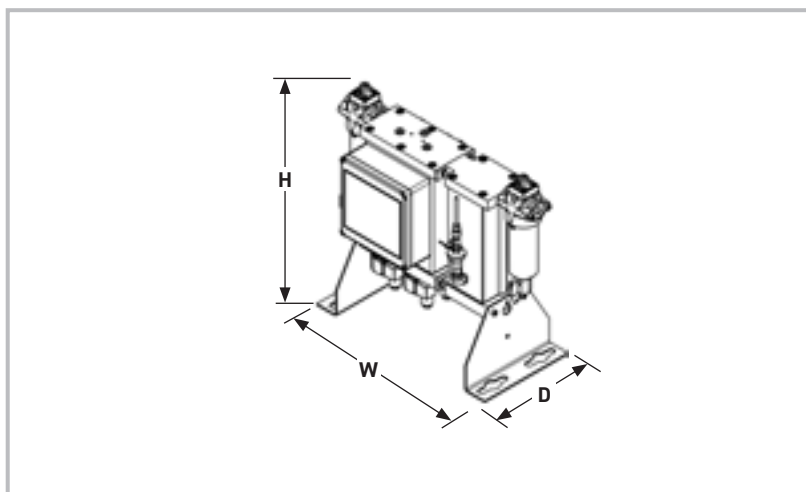
Maximum Ambient Temperature	°C	25	30	35	40	45	50
	°F	77	86	95	104	113	122
Correction Factor		1.00	1.00	1.00	1.00	1.00	1.00

CFMIP - Correction Factor Minimum Inlet Pressure

Minimum Inlet Pressure	bar g	4	5	6	7	8	9	10	11	12	13	14	15	16
	psi g	58	73	87	100	116	131	145	160	174	189	203	218	232
Correction Factor		1.60	1.33	1.12	1.00	0.88	0.79	0.76	0.74	0.67	0.62	0.59	0.56	0.53

CFOD - Correction Factor Outlet Dewpoint

Outlet Dewpoint	°C	-25	-40	-70
	°F	-13	-40	-100
Correction Factor		1.00	1.00	2.00



Weights & Dimensions

Model	Dimensions						Weight	
	Height (H)		Width (W)		Depth (D)			
	mm	ins	mm	ins	mm	ins	kg	lbs
KA-MT 1	434	17	486	19	210	8	15	33
KA-MT 2	609	24	477	19	210	8	20	44
KA-MT 3	859	34	577	23	210	8	28	62
KA-MT 4	1109	44	577	23	210	8	35	77
KA-MT 6	1164	55	692	27	300	12	68	150
KA-MT 7	1389	55	692	27	300	12	81	179
KA-MT 8	1589	63	692	27	300	12	92	203

Included Filtration

Model	Dryer Inlet	Dryer Outlet	
	High Efficiency Filter	General Purpose Dry Particulate Filter	High Efficiency Dry Particulate Filter (Option)
KA-MT 1	AAP010AGFI	AOP010AGMI	AAP010AGMI
KA-MT 2	AAP010AGFI	AOP010AGMI	AAP010AGMI
KA-MT 3	AAP010AGFI	AOP010AGMI	AAP010AGMI
KA-MT 4	AAP010AGFI	AOP010AGMI	AAP010AGMI
KA-MT 6	AAP015CGFI	AOP015CGMI	AAP015CGMI
KA-MT 7	AAP015CGFI	AOP015CGMI	AAP015CGMI
KA-MT 8	AAP020DGF	AOP020DGMI	AAP020DGMI

Included in standard scope of supply:
 Prefilter (AA) including float drain.
 Afterfilter (AO) including manual drain.

Optional: (Delivered separately):
 Oil vapour reduction filter (ACS)
 High efficiency dry particulate filter (AA) including manual drain

Parker Catalogue Numbers 230V/1ph/50Hz-60Hz

For Dryer Model	Catalogue Number No Dewpoint Sensor	Catalogue Number With Dewpoint Sensor
KA-MT 1	K1/16DA3-G230M	K1/16DA3-G230MT
KA-MT 2	K2/16DA3-G230M	K2/16DA3-G230MT
KA-MT 3	K3/16DA3-G230M	K3/16DA3-G230MT
KA-MT 4	K4/16DA3-G230M	K4/16DA3-G230MT
KA-MT 6	K6/16DA3-G230M	K6/16DA3-G230MT
KA-MT 7	K7/16DA3-G230M	K7/16DA3-G230MT
KA-MT 8	K8/16DA3-G230M	K8/16DA3-G230MT